

Data Sheet E27700d

## E27700 LOG SPLITTER VALVE

### Description

The E27700 is a specialised valve designed for use on log splitter machinery.

It is a 3-position valve with a spring return to neutral for splitting the log “dead mans lever” and detented in the reverse direction for returning the blade. The integral pressure kick out automatically returns the valve to neutral at the end of the return stroke.

A built in relief valve protects the hydraulic circuit. Both the main relief and kickout pressures are adjustable.

To provide flexibility of mounting the lever can be fitted to the 180 deg position. This facility also reverses the lever movement in relation to the spool.

### ORDER CODE

E27700



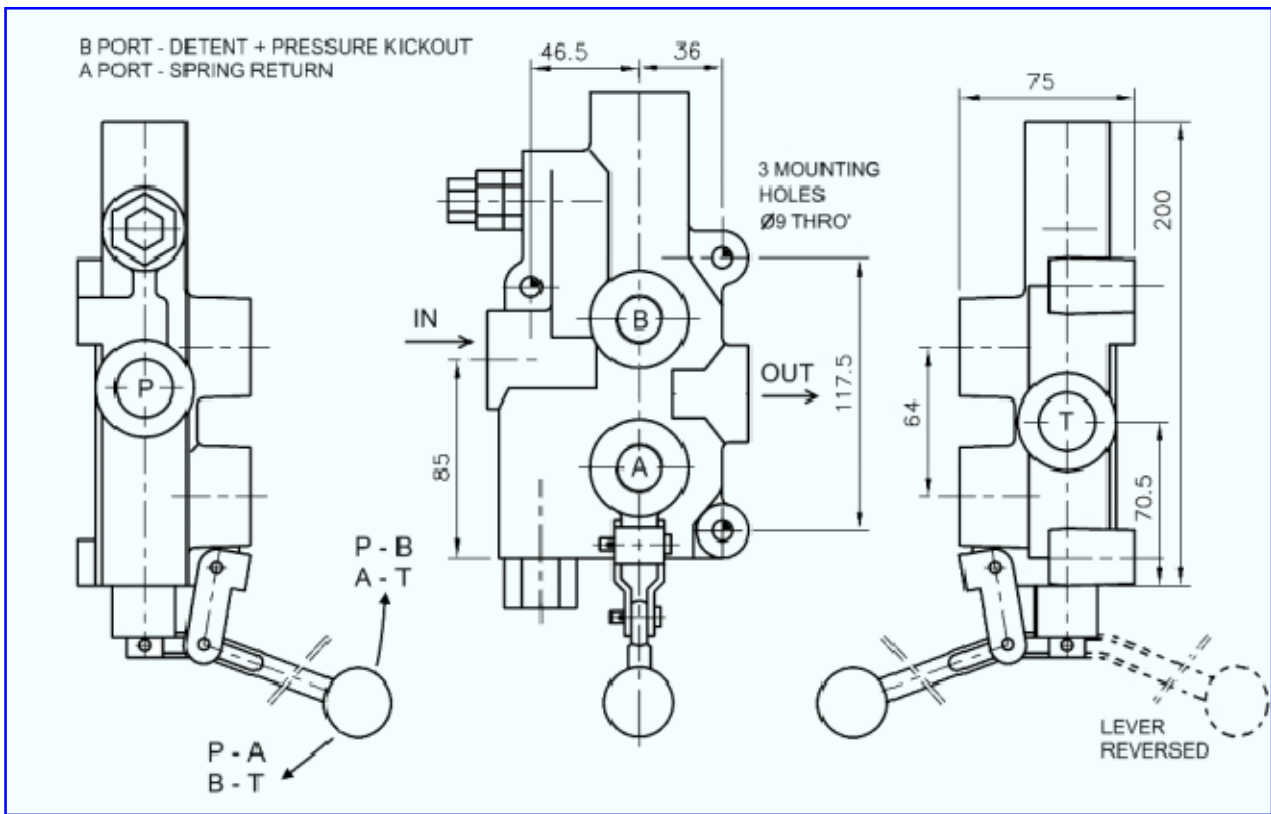
### Application

Suitable for log splitters and applications requiring a pressure kick-out to neutral function.

**This valve must be fitted in accordance with BS EN 609.**

### Features

- Individually tested.
- Compact.
- Low profile.
- Reversible lever.
- Rugged construction.
- Adjustable pressure settings.
- Economic.
- 3 bolt fixing.



## Technical Data

Rated flow	80 lpm
Maximum inlet pressure	250 bar
Maximum outlet pressure	50 bar
Maximum service pressure	300 bar
Pressure kick-out	70-140 bar
Relief valve pressure	Factory set 160 bar Max 250

Temperature rating min	-15°C
Temperature rating max	+80°C
Spool leakage at 120 bar	20cc/minute

### Recommended Oil

Mineral based Hydraulic	ISO VG37
Minimum cleanliness	ISO DIS 4406 18/12

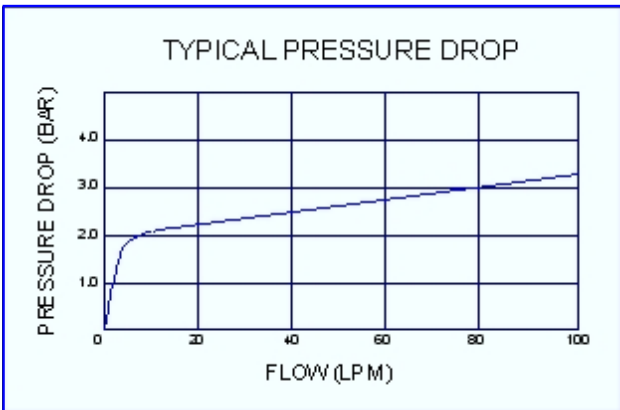
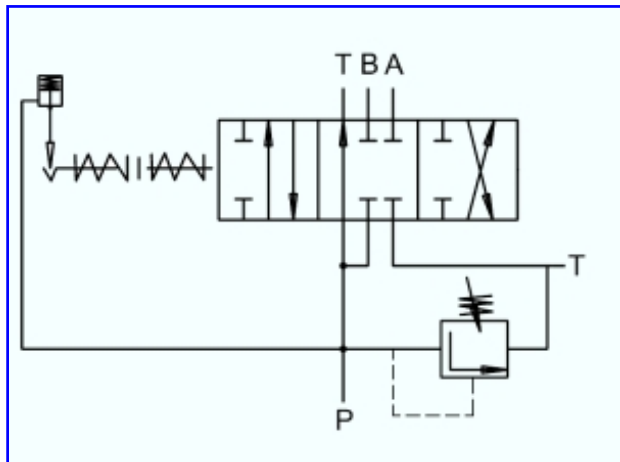
### Materials

Body	Cast iron EN-GJL300
Spool	Steel - chrome plated
External plating	Zinc chromate
Seals	Nitrile

Weight	4.6kg
--------	-------

### Ports

Service ports A & B	G 1/2
Inlet & Outlet ports P & T	G 3/4



**Hydraulic Projects Ltd**, Dawlish Business Pk, Dawlish, Devon EX7 0NH  
 Telephone: +44 (0) 1626 863634. Fax +44(0) 1626 866283  
 E-mail: enquiries@hypro.co.uk . Web site: www.hypro.co.uk