

VFC Series

Variable Flow Pressure Compensated Control Valve



Milwaukee, WI 53235, USA

Tel: +1 (414) 769-6400
sales-us@webtec.com

St. Ives, Cambs. PE27 3LZ, UK

Tel: +44 (0) 1480 397 400
sales-uk@webtec.com

www.webtec.com

Variable Flow Control Valves maintain the flow rate of hydraulic fluid to a selected value.

Applications include hydraulic cylinders requiring constant extension or retraction speeds and hydraulic motors requiring constant rotational speeds. When used with a fixed delivery pump the excess flow is By-Passed across a relief valve.

Specifications

Maximum Pressure:
210 bar (working)

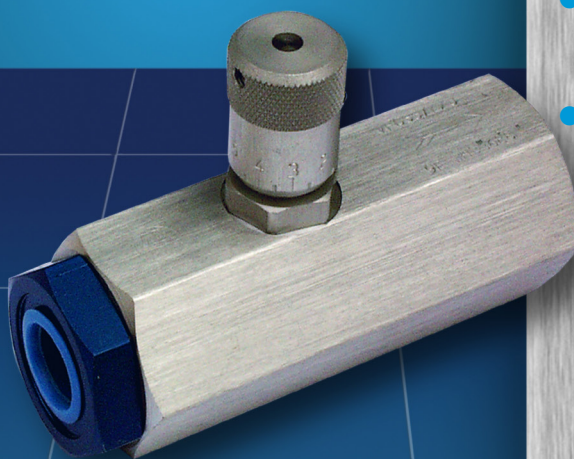
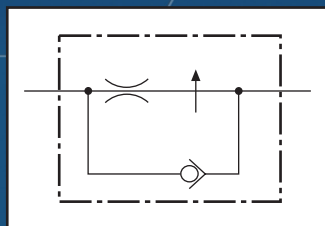
Maximum Flow:
55 lpm

Porting:
BSP & NPT (see Table 1)

Material:
Steel components in an aluminium body

Weight:
See Table 1

Symbol



Features

- Pressure compensated to ensure a constant flow rate under varying pressures.
- Knurled knob enables fast, accurate adjustment of flow rate in one direction (under pressure) from 1.5 lpm to 55 lpm.
- Knurled knob can be locked in position by a grub (set) screw and provides weatherproof sealing to prevent the adjusting screw from corroding or seizing.
- Free (uncontrolled) flow is permitted in reverse direction.
- Special, Uni-directional version available on request.



Ordering Codes

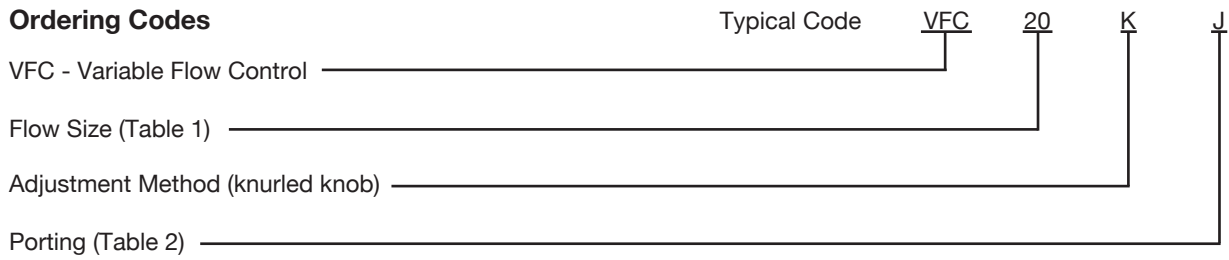


Table 1: Dimensions

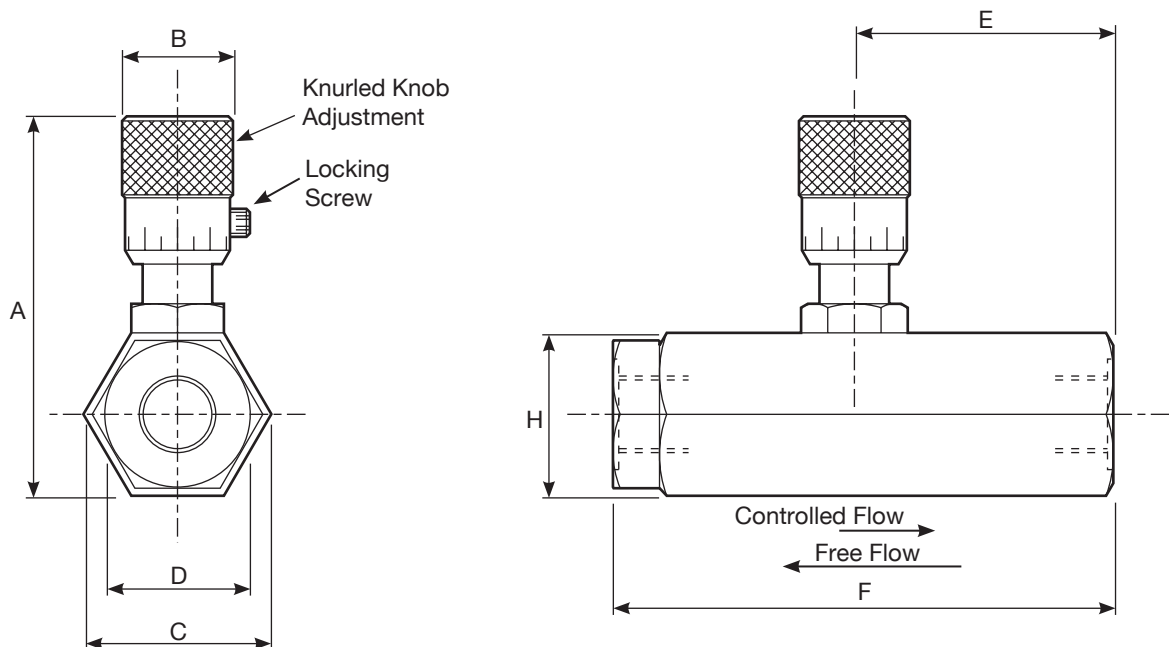
Code	Flow Range (lpm)	Porting		A	B	C	D	E	F	H	Weight (kg)
		Size	Thread								
20	1.5 - 20	1/4"	BSP	59.9	17.5	32.8	25.4	44.4	84.8	28.4	0.2
40	2.0 - 40	3/8"	BSP	74.6	23.8	43.9	35.1	57.1	107.1	38.1	0.4
55	2.0 - 55	1/2"	BSP	77.7	23.8	47.5	38.1	63.5	119.1	41.1	0.5
20	1.5 - 20	1/4"	NPT	59.9	17.5	32.8	25.4	44.4	84.8	28.4	0.2
40	2.0 - 40	3/8"	NPT	74.6	23.8	43.9	35.1	57.1	107.1	38.1	0.4
55	2.0 - 55	1/2"	NPT	77.7	23.8	47.5	38.1	63.5	119.1	41.1	0.5

Table 2: Porting *

Code	Thread
J	BSP
A	NPT

Installation Details

Dimensions in millimetres



* Other threads available to special order.