

100mm Dia. Pressure Gauges

Specification



Construction:

Case: BS 304 S15 stainless steel.
 Window: Acrylic.
 Movement: Brass.
 Dial: White aluminium.
 Pointer: Black aluminium.

Liquid filling:

Glycerine 98%.

Working pressure:

Full scale value.

Process temperature:

+ 60°C maximum.

Accuracy:

1.0% FSD.

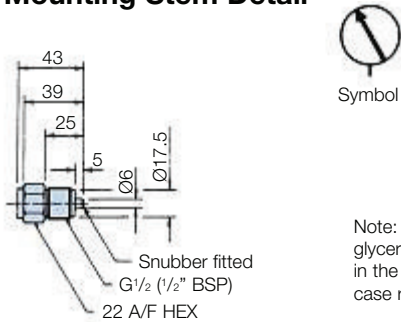
Wetted parts connector:

Copper alloy.

Bourdon tube:

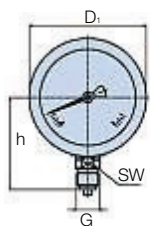
< 100 bar = Cu alloy, c-type, soft soldered.
 > 100 bar = stainless steel 1.4571, helical type, brazed.

Mounting Stem Detail

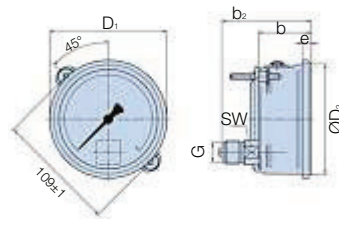


Installation Details

Bottom Connection



Panel Mounting (Lower Back)



Dimensions (mm) Bottom Connection

a	b ±0.5	D ₁	D ₂	e	G	h ±1	SW	Weight Kg
15.5	48	107	100	8	G ¹ / ₂	87	22	0.80

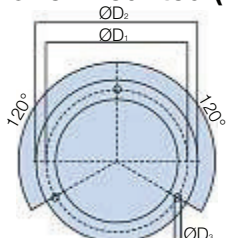
Dimensions (mm) Panel Mounting (Lower Back)

b ±0.5	b ₂ ±1	D ₁	D ₂	e	G	SW	Weight Kg
48	81.5	107	100	8	G ¹ / ₂	22	0.80

Note 1: Panel cut-out 102 ±1.0

Note 2: 13mm on the outside radius required to allow for fixing clamp.

Panel Mounted (3-hole flange)



Note 1: Gauge dimensions as for panel mounting option above with flange as shown below.
 Note 2: Panel cut-out for 3-hole mounting 104±0.5.

Dimensions (mm)

D ₁	D ₂	D ₃
116	132	4.8

Ordering Information

Bottom Connection

Part number	Supersedes	Pressure range	Connector type
PGB1001250	PGB.1001.250	0-250 bar	G ¹ / ₂ Bottom
PGB1001400	PGB.1001.400	0-400 bar	G ¹ / ₂ Bottom
PGB1001010	PGB.1001.010	0-10 bar	G ¹ / ₂ Bottom
PGB1001016	PGB.1001.016	0-16 bar	G ¹ / ₂ Bottom
PGB1001025	PGB.1001.025	0-25 bar	G ¹ / ₂ Bottom
PGB1001040	PGB.1001.040	0-40 bar	G ¹ / ₂ Bottom
PGB1001060	PGB.1001.060	0-60 bar	G ¹ / ₂ Bottom
PGB1001100	PGB.1001.100	0-100 bar	G ¹ / ₂ Bottom
PGB1001160	PGB.1001.160	0-160 bar	G ¹ / ₂ Bottom
PGB1001600	PGB.1001.600	0-600 bar	G ¹ / ₂ Bottom
PGB10011000	PGB.1001.1000	0-1000 bar	G ¹ / ₂ Bottom

Panel Mounting

Part number	Supersedes	Pressure range	Connector type
PGE1001010	PGE.1001.010	0-10 bar	G ¹ / ₂ Panel
PGE1001016	PGE.1001.016	0-16 bar	G ¹ / ₂ Panel
PGE1001025	PGE.1001.025	0-25 bar	G ¹ / ₂ Panel
PGE1001040	PGE.1001.040	0-40 bar	G ¹ / ₂ Panel
PGE1001060	PGE.1001.060	0-60 bar	G ¹ / ₂ Panel
PGE1001100	PGE.1001.100	0-100 bar	G ¹ / ₂ Panel
PGE1001160	PGE.1001.160	0-160 bar	G ¹ / ₂ Panel
PGE1001250	PGE.1001.250	0-250 bar	G ¹ / ₂ Panel
PGE1001400	PGE.1001.400	0-400 bar	G ¹ / ₂ Panel
PGE1001600	PGE.1001.600	0-600 bar	G ¹ / ₂ Panel
PGE10011000	PGE.1001.1000	0-1000 bar	G ¹ / ₂ Panel

Panel Mounted (3-hole flange)

Part number	Supersedes	Pressure range	Connector type
PG.1001250	PGF.1001.250	0-250 bar	G ¹ / ₂ Panel Flange
PGF1001400	PGF.1001.400	0-400 bar	G ¹ / ₂ Panel Flange
PGF1001010	PGF.1001.010	0-10 bar	G ¹ / ₂ Panel Flange
PGF1001016	PGF.1001.016	0-16 bar	G ¹ / ₂ Panel Flange
PGF1001025	PGF.1001.025	0-25 bar	G ¹ / ₂ Panel Flange
PGF1001040	PGF.1001.040	0-40 bar	G ¹ / ₂ Panel Flange
PGF1001060	PGF.1001.060	0-60 bar	G ¹ / ₂ Panel Flange
PGF1001100	PGF.1001.100	0-100 bar	G ¹ / ₂ Panel Flange
PGF1001160	PGF.1001.160	0-160 bar	G ¹ / ₂ Panel Flange
PGF1001600	PGF.1001.600	0-600 bar	G ¹ / ₂ Panel Flange
PGF10011000	PGF.1001.1000	0-1000 bar	G ¹ / ₂ Panel Flange

Note 1: Part numbers featured with bold highlighted codes will ensure a 'standard' product selection.

Note 2: Alternate displayed part number selection will require you to contact Parker Filtration for availability.

*Note 3: Any subsequent changes to gauge accuracy will be notified.