



**DIPLOMATIC
HYDRAULICS**

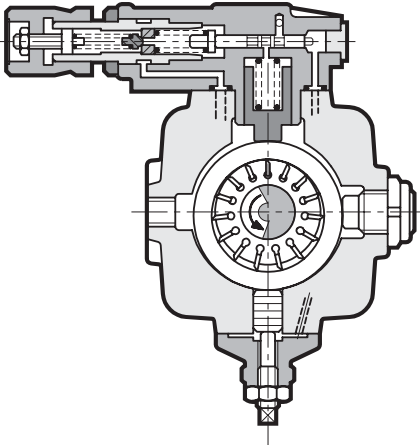
14 200/107 ED

PVA

**VARIABLE DISPLACEMENT
VANE PUMPS
SERIES 30**



OPERATING PRINCIPLE



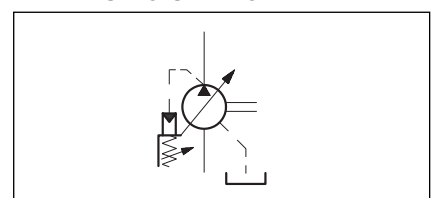
- The PVA pumps are variable displacement vane pumps with piloted type hydraulic pressure compensator.
- They permit instantaneous adjustment of the flow rate according to the circuit requirements. The consequence is that energy consumption is reduced and adequate in every cycle phase.
- The pumping group is complete with hydrostatic axial compensation distribution plates that improve the volumetric efficiency and reduce wear of the components.
- The pressure compensator operates with the principle of keeping the cam ring of the pumping group in the eccentric position with use of a piston controlled hydraulically by a pressure pilot stage.
- When the delivery pressure equals the pressure corresponding to the pilot stage setting, the cam ring is moved toward the center adjusting the flow rate to the plant requirements.
- In zero flow demand conditions, the pump delivers oil only to compensate any possible bleedings and pilotings, keeping the circuit pressure constant.
- The compensator response times are very restrained and such as to allow elimination of the pressure relief valve.
- Also available are the versions with maximum flow adjustment PVA***Q and with the device for selection of two independent pressure values with solenoid valve PVA***M.

TECHNICAL SPECIFICATIONS (measured with mineral oil with viscosity of 36 cSt at 50°C)

PUMP SIZE		22	28	35	45	56	72	90	115	145
Displacement	cm ³ /rev	16	20	25	31,5	40	50	63	80	100
Nominal flow rate (at 1450 rpm)	l/min	23,2	29	36,2	45,6	58	72,5	91,3	116	145
Maximum operating range	bar	160						150		
Pressure adjustment range	bar	30 ÷ 160						30 ÷ 150		
Maximum pressure on drain port	bar	1								
Rotation speed range	rpm	800 ÷ 1800								
Rotation direction		clockwise (seen from the outlet shaft side)								
Loads on the shaft:		loads radial and axial not allowed								
Maximum applicable shaft torque	Nm	197			400			740		
Mass	kg	13			33			45		

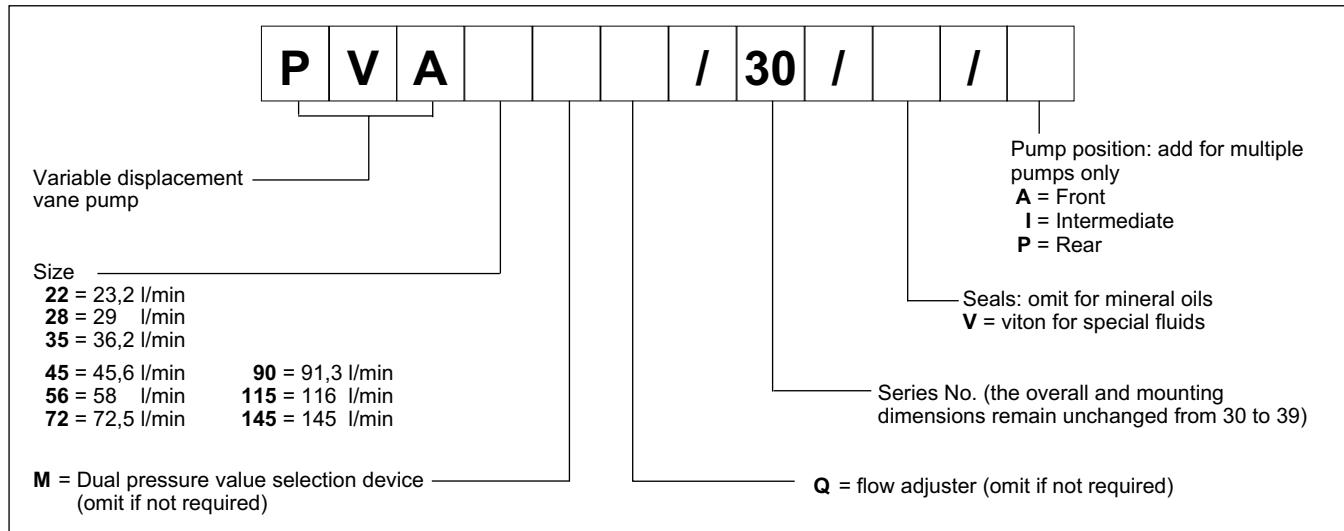
Ambient temperature range	°C	-20 / +50
Fluid temperature range	°C	-10 / +70
Fluid viscosity range		see paragraph 2.2
Fluid contamination degree		see paragraph 2.3
Recommended viscosity	cSt	25 ÷ 50

HYDRAULIC SYMBOL





1 - IDENTIFICATION CODE



2 - HYDRAULIC FLUID

2.1 - Fluid type

Use mineral oil based hydraulic fluids with anti-foam and antioxidant additives. For use of other types of fluid, keep in mind the limitations shown in the following table or consult our technical department for authorization of use.

FLUID TYPE	NOTES
HFC (water glycol solutions with proportion of water ≤ 40 %)	<ul style="list-style-type: none"> - The values shown in the performance ratings table must be reduced by at least 50% . - The pump rotation speed must be limited to 1000 rpm. - The maximum fluid temperature must be less than 50°C.
HFD (phosphate esters)	There are no particular limitations with respect to the values shown in the performance ratings table. Operation with a fluid viscosity as close as possible to the optimum viscosity range specified in par. 2.2 is recommended.

2.2 - Fluid viscosity

The operating fluid viscosity must be within the following range:

minimum viscosity	16 cSt	referred to the maximum drainage fluid temperature of 70 °C
optimum viscosity	25 ÷ 50 cSt	referred to the fluid working temperature in the tank
maximum viscosity	800 cSt	limited to only the start-up phase of the pump

When selecting the fluid type, be sure that the true viscosity is within the range specified above at the operating temperature.

2.3 - Degree of fluid contamination

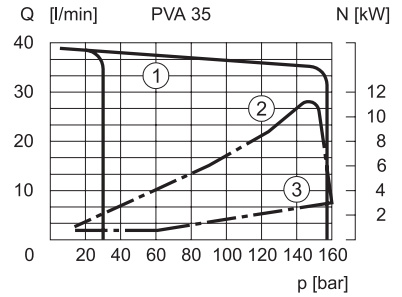
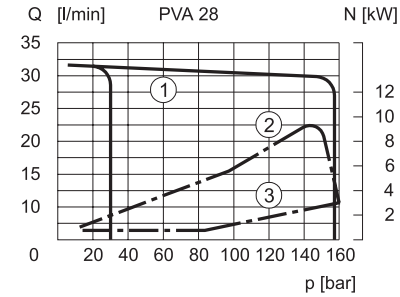
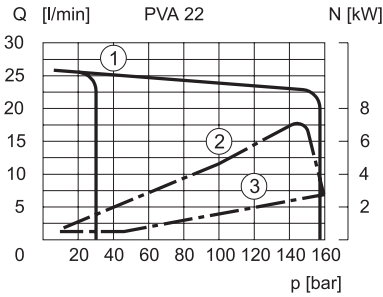
The maximum degree of fluid contamination must be according to ISO 4406:1999 class 20/18/15; therefore, use of a filter with $\beta_{20} \geq 75$ is recommended. A degree of maximum fluid contamination according to ISO 4406:1999 class 18/16/13 is recommended for optimum endurance of the pump. Hence, use of a filter with $\beta_{10} \geq 100$ is recommended.

The filter must be equipped with a by-pass valve and, if possible, with a clogging indicator.



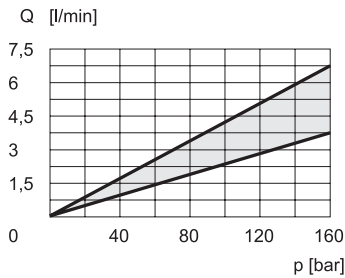
3 - PVA - 22/28/35 CHARACTERISTIC CURVES (obtained with viscosity of 36 cSt at 50°C)

FLOW RATE - PRESSURE - ABSORBED POWER



- ① Flow rate - pressure curves, measured at 1450 rpm
- ② Absorbed power at the maximum flow rate
- ③ Absorbed power at the zero flow rate

DRAINAGE FLOW RATE



RESPONSE TIMES AND PRESSURE PEAK

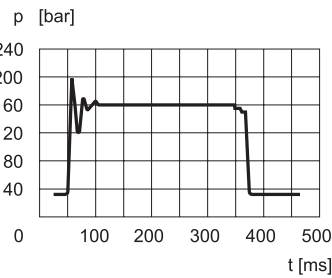
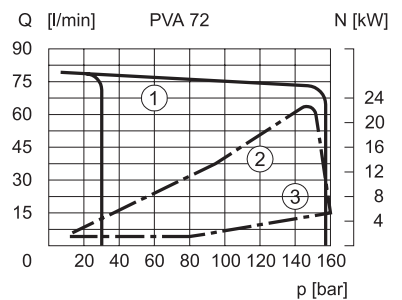
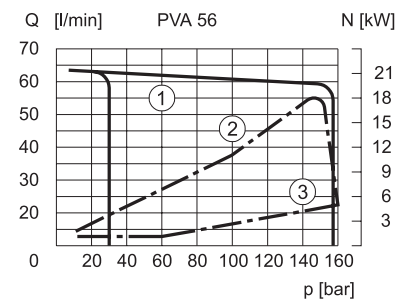
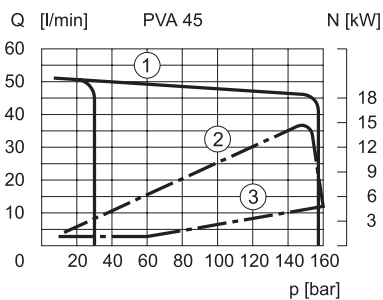


Diagram noted passing from maximum flow rate to zero flow rate and vice versa

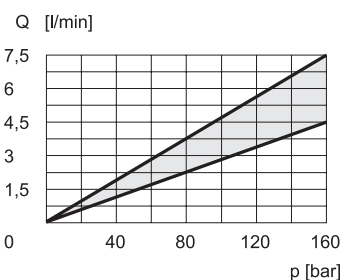
4 - PVA - 45/56/72 CHARACTERISTIC CURVES (obtained with viscosity of 36 cSt at 50°C)

FLOW RATE - PRESSURE - ABSORBED POWER



- ① Flow rate - pressure curves, measured at 1450 rpm
- ② Absorbed power at the maximum flow rate
- ③ Absorbed power at the zero flow rate

DRAINAGE FLOW RATE



RESPONSE TIMES AND PRESSURE PEAK

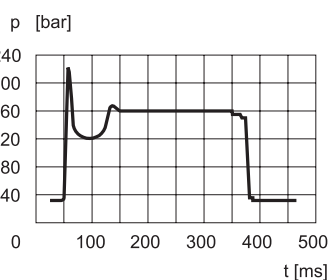
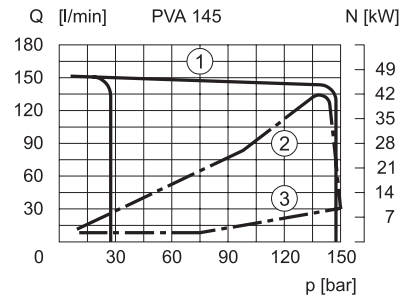
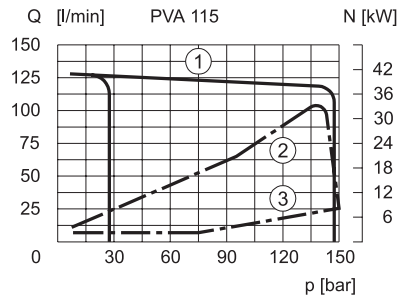
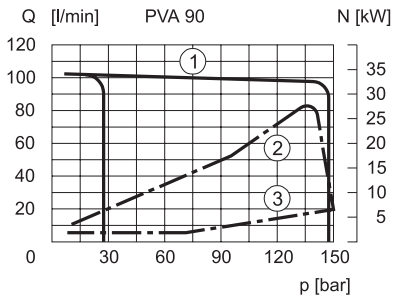


Diagram noted passing from maximum flow rate to zero flow rate and vice versa



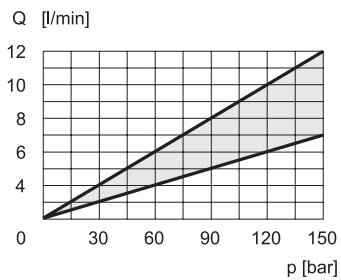
5 - PVA - 90/115/145 CHARACTERISTIC CURVES (values obtained with viscosity of 36 cSt at 50°C)

FLOW RATE - PRESSURE - ABSORBED POWER



- ① Flow rate - pressure curves, measured at 1450 rpm
- ② Absorbed power at the maximum flow rate
- ③ Absorbed power at zero flow rate

DRAINAGE FLOW RATE



RESPONSE TIMES AND PRESSURE PEAK

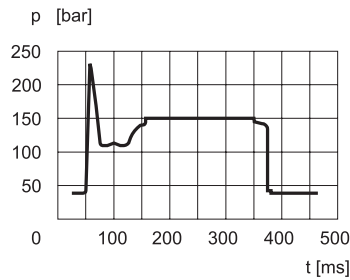
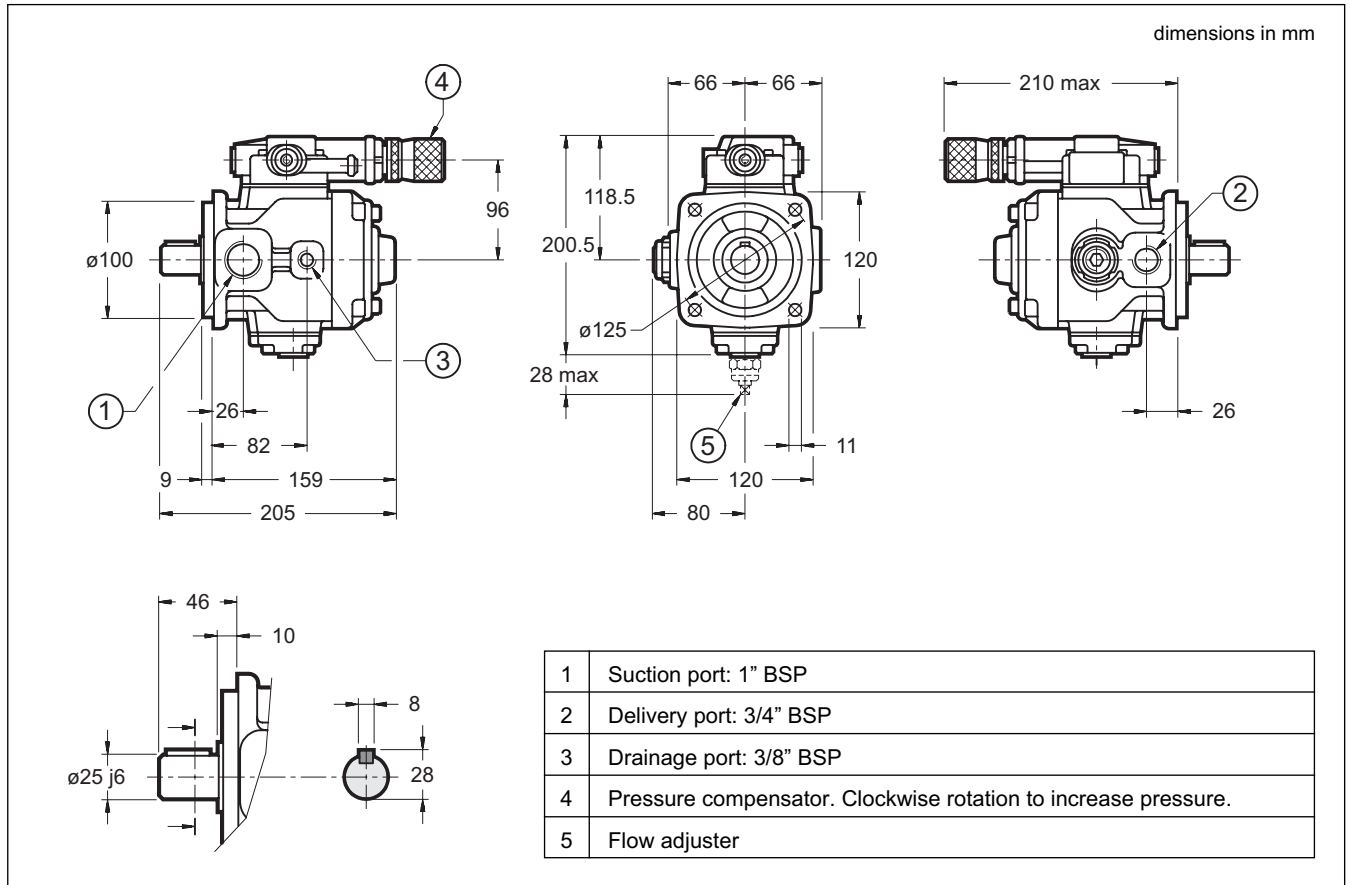


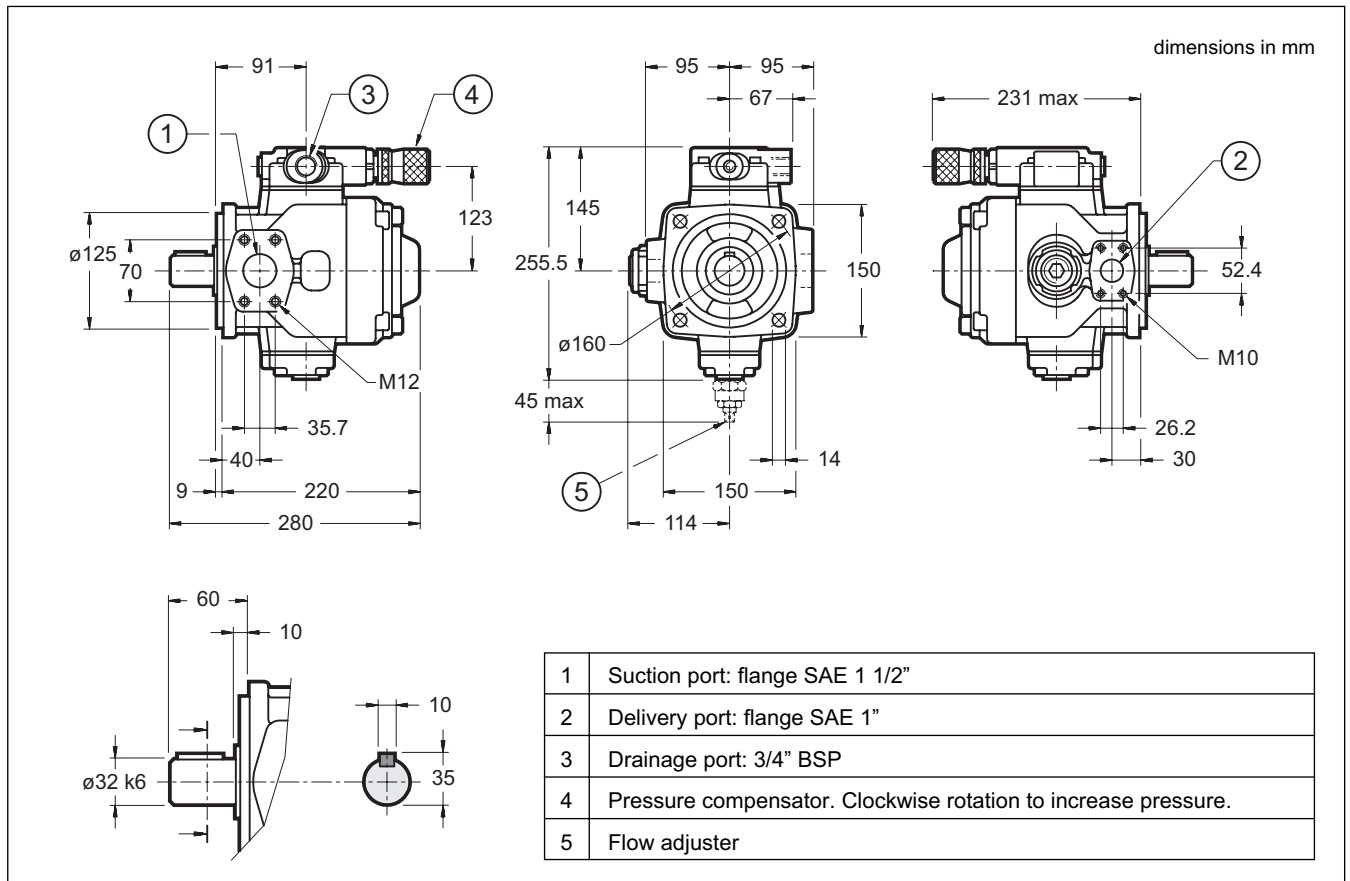
Diagram noted passing from maximum flow rate to zero flow rate and vice versa



6 - PVA - 22/28/35 OVERALL AND MOUNTING DIMENSIONS

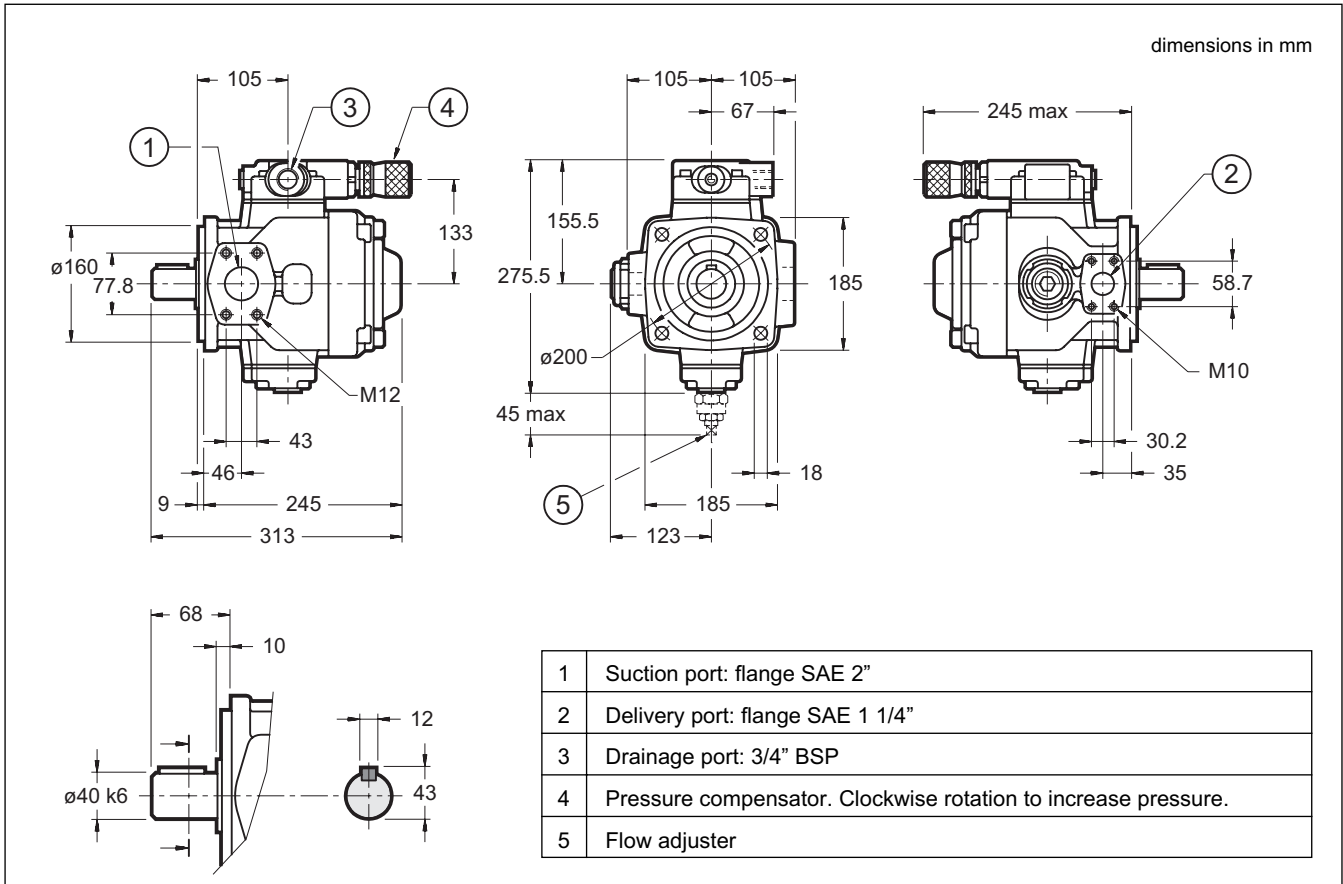


7 - PVA - 45/56/72 OVERALL AND MOUNTING DIMENSIONS





8 - PVA - 90/115/145 OVERALL AND MOUNTING DIMENSIONS



9 - INSTALLATION

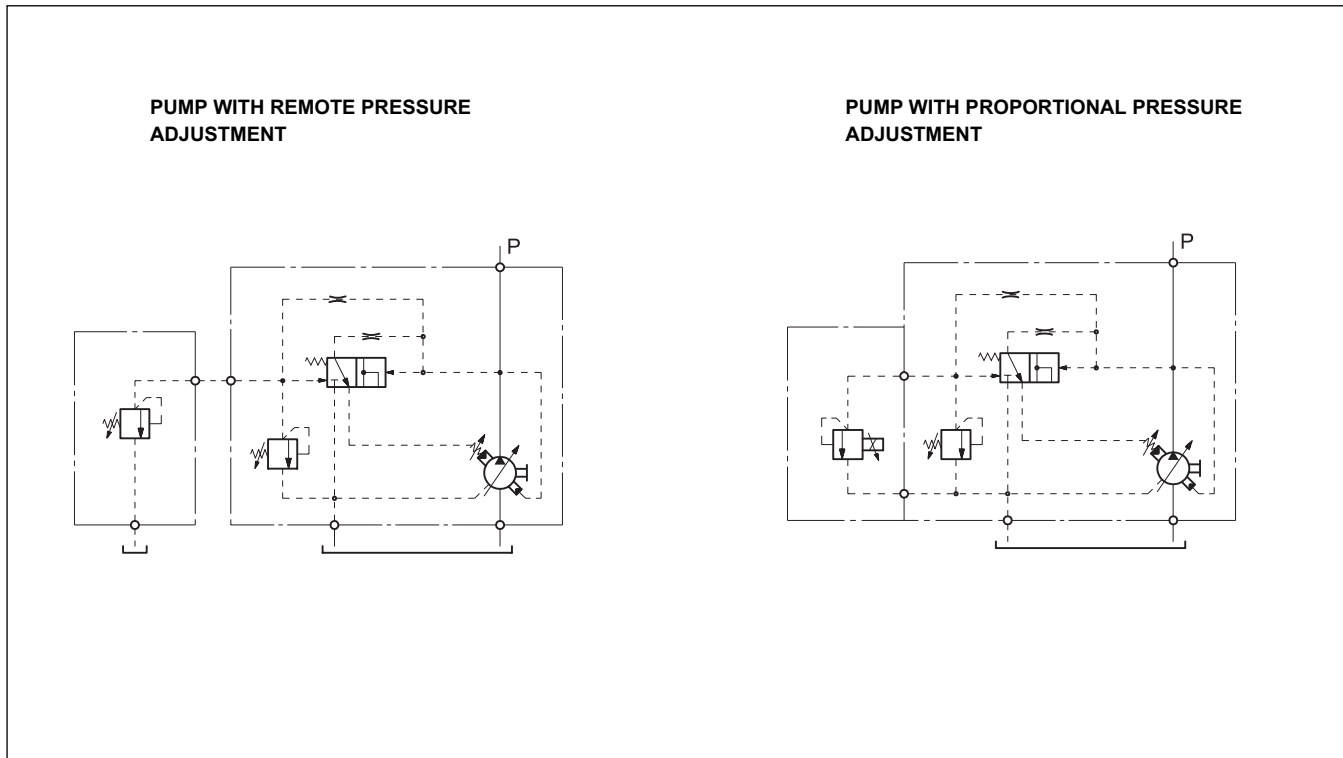
- The PVD pumps up to size 35 can be installed with the axis oriented in any position. For other sizes the pump must be installed with the axis in horizontal position.
- The suction line must be suitably sized to facility the flow of oil.
Bends and restrictions or an excessive line length can impair correct operation of the pump.
- The drainage port must be connected directly to the tank by a line separate from other discharges, located far from the suction line and lengthened to below the minimum oil level so as to avoid formation of foam.
- The pump start up, especially at a cold temperature, should occur with the pump unloading.
- The pumps are normally positioned directly above the oil tank.
Flooded suction port installation of the pumps is advisable in the case of circuits with high flow rates and pressures.
- The motor-pump connection must be carried out directly with a flexible coupling.
Couplings that generate axial or radial loads on the pump shaft are not allowed.

10 - PVA*Q FLOW ADJUSTER**

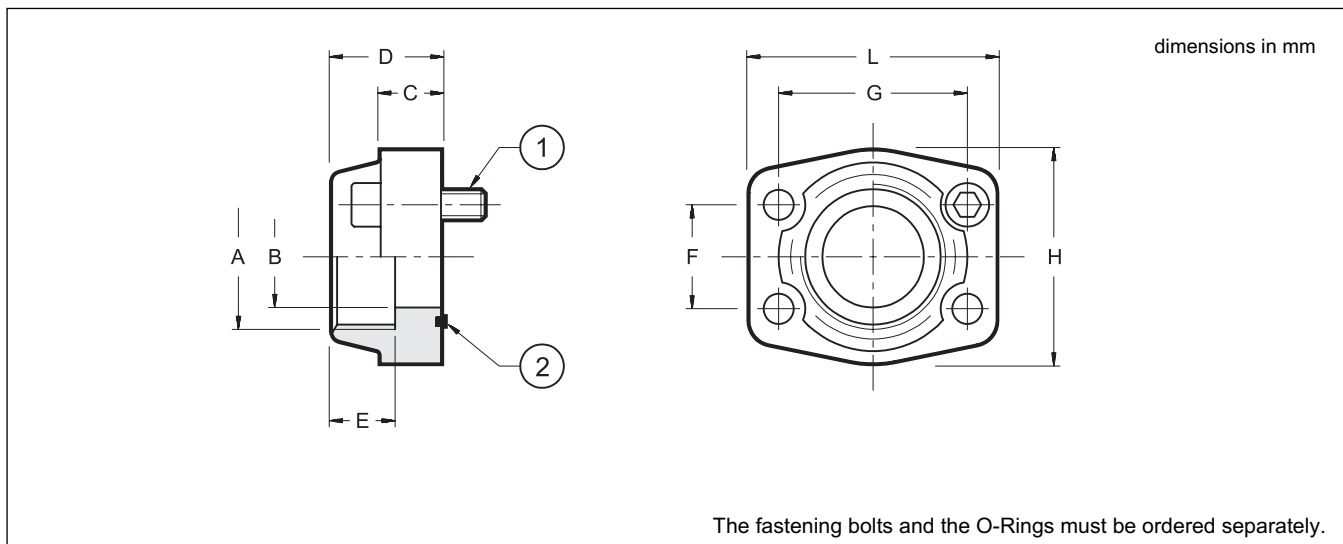
The flow adjustment group, supplied upon request, consists of an adjustment screw and a small balanced piston that limit the maximum eccentricity of the pumping group cam ring, changing the displacement.
The screw is supplied with square head, spanner 7, that allows assembly of an adjustment handwheel or the attachment for remote control.
The maximum flow is reduced by turning the adjustment screw clockwise.



13 - SET PRESSURE CONTROL CIRCUIT EXAMPLES



14 - CONNECTION FLANGES



Flange code	Flange description	p_{max} [bar]	$\varnothing A$	$\varnothing B$	C	D	E	F	G	H	L	①	②
0610713	SAE - 1"	345	1" BSP	25	18	38	22	26.2	52.4	22	70	TCEI M10x35	OR 4131 (32.93x3.53)
0610720	SAE - 1 1/4"	276	1 1/4" BSP	32	21	41	22	30.2	58.7	68	79		OR 4150 (37.69x3.53)
0610714	SAE - 1 1/2"	207	1 1/2" BSP	38	25	44	24	35.7	70	78	93	TCEI M12x45	OR 4187 (47.22x3.53)
0610721	SAE - 2"	207	2" BSP	51	25	45	30	43	77.8	90	102		OR 4225 (56.74x3.53)

	<p>DIPLOMATIC OLEODINAMICA SpA 20025 LEGNANO (MI) - P.le Bozzi, 1 / Via Edison Tel. 0331/472111 - Fax 0331/548328</p>
--	--